

Figure 8-1a LJ 5Si Family Printer and Paper Handling Components

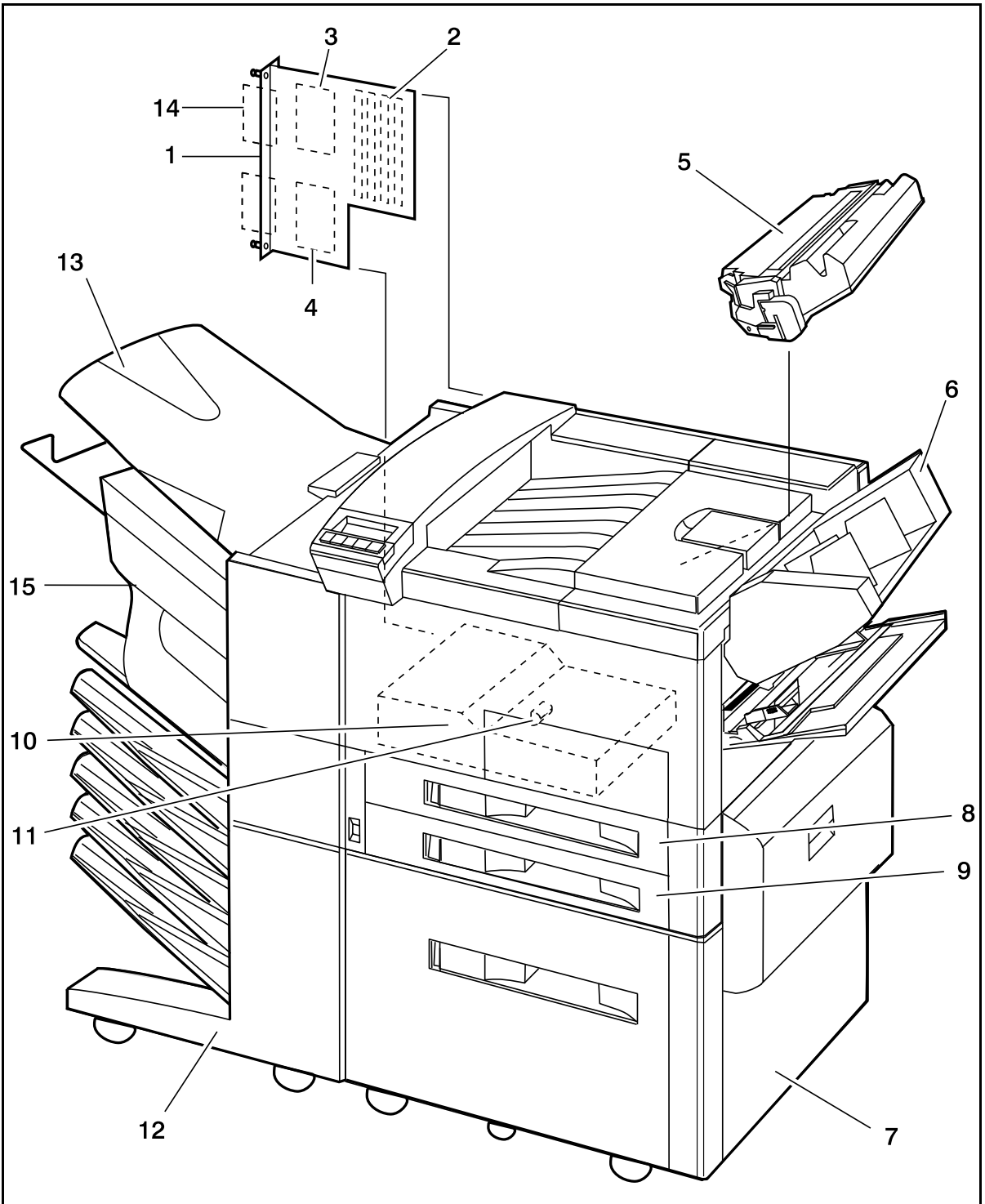


Figure 8-1b LJ 5Si Mopier Family and Paper Handling Components

Table 8-1

## Printer and Paper Handling Components

Ref	Description/Product Number	Part Number	Exchange /Service Number	QTY
01	Formatter Assembly	C3168-67905		
01A	Formatter Assembly, Exchange		C3168-69005 (ex.)	
01	Formatter Assembly, Heavy Media		C3125-60001 (serv.)	
02	PostScript SIMM/C3169A		C3169-69001 (ex.)	
03	420 MB Disk Drive/C2965A			1
03A	420 MB Disk Drive, Exchange		C2965-69001 (ex.)	
not shown	420 MB Disk Left Mounting Bracket	C2965-40001		
not shown	420 MB Disk Right Mounting Bracket	C2965-40002		
not shown	420 MB Disk Cable Assembly	C2965-60004		
04	External Paper Handling Controller PCA	C3768-60501		1
05	Toner Cartridge/C3909A			
06	Envelope Feeder/C3765A		C3765-60501(serv.)	1
07	2000-Sheet Input Unit (Tray 4)/C3763A		C3763-69501 (ex.) C3763-60501 (serv.)	1
08	Tray 2/C2931A	R77-0004-000CN		1
09	Tray 3/C2930A	R77-0003-000CN		1
not shown	Paper Size Guide (Trays 2 and 3)	RF5-1484-000CN		1
not shown	Paper Size Guide Label (Trays 2 and 3)	RS5-8605-000CN		1
10	Duplex Unit/C3762A		C3762-60501 (serv.)	1
10	Duplex Unit, Heavy Media		C4178-69001 (ex.)	
11	Duplex Unit Roller 1	RB1-6822-000CN		1
12	8 bin Multi Bin/C3764A 5 bin Mailbox for Stapler/C3774A		C3764-69100 (ex.) C3766-69515 (ex.)	1
13	Face-Up Bin	RB1-6491-000CN		1
14	MIO Coverplate	C2009-00006		
15	Stapling Unit	C3766-60500	C3766-69500 (ex.)	1
not shown	Packaging Kit, Printer	C3166-67905		
not shown	Packaging Kit, Duplex Unit	C3762-60500		
not shown	Packaging Kit, 2000-Sheet Input Unit	C3763-60500		
not shown	Packaging Kit, Multi-Bin Mailbox	C3764-60500		
not shown	Packaging Kit, Envelope Feeder	C3765-60500		
not shown	Maintenance Kit, 100-120V/C3971A		C3971-69001 (ex.)	
not shown	Maintenance Kit, 220-240V/C3972A		C3972-69001 (ex.)	

**Table 8-1****Printer and Paper Handling Components (continued)**

<b>Ref</b>	<b>Description/Product Number</b>	<b>Part Number</b>	<b>Exchange /Service Number</b>	<b>QTY</b>
not shown	C-Link Cable Assembly 178 cm (HCI to MBM)	C3764-70000		
not shown	C-Link Cable Assembly 61 cm (Engine to HCI)	C3763-70000		
not shown	C-Link Cable Assembly 97 cm (MBM to Stapler)	C3766-60512		
not shown	Stapler Cartridges (3-pack)/C3772A			
not shown	3 Way Power Adapter	C4077-60102		

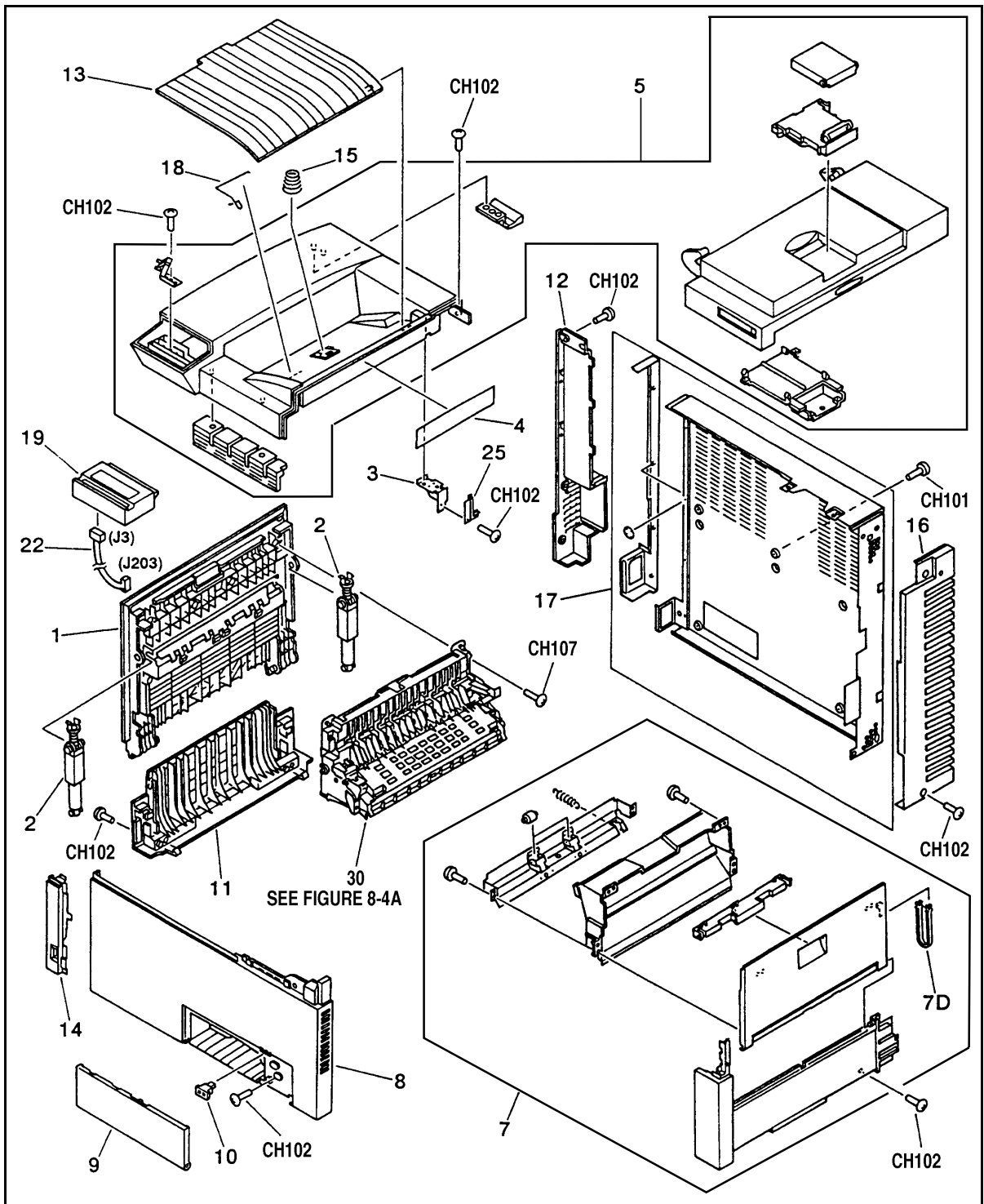
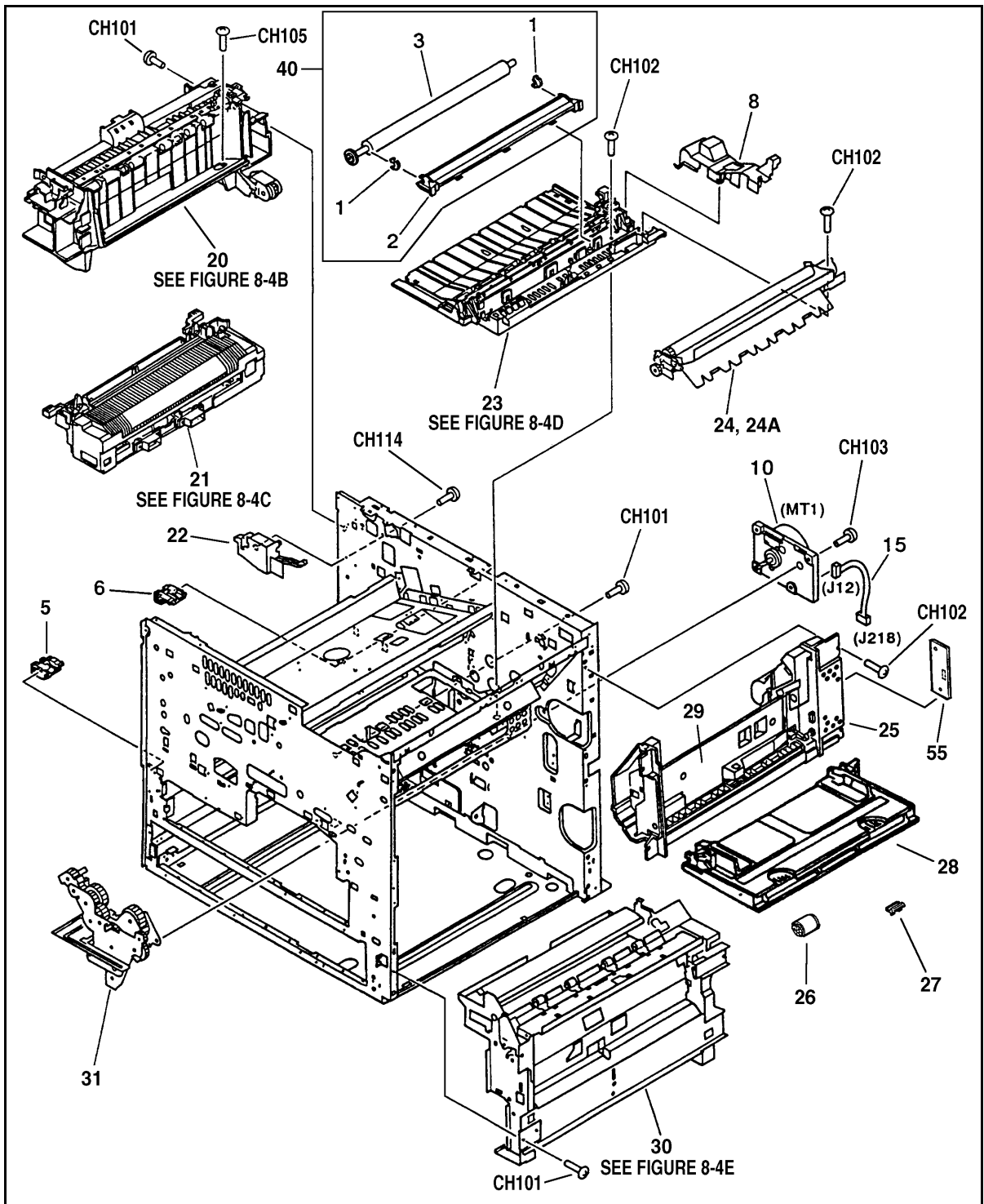


Figure 8-2 Printer Covers and Doors

Table 8-2

## Printer Covers and Doors

Ref	Description	Part Number	QTY
01	Left Access Door	RB1-6667-000CN	1
02	Left Access Door Struts	RF5-1440-000CN	2
03	Hinge Plate	RB1-6507-000CN	1
04	Label, Operation (Special Order)	RS5-8596-000CN	1
05	Cover Assembly	RG5-1870-000CN	1
07	Right Cover Assembly	RG5-1915-040CN	1
07D	Open / Close Stopper	RB1-6484-000CN	1
08	Front Cover	RB1-6494-000CN	1
09	Front Door	RB1-6495-000CN	1
10	Front Door Latch	XZ9-0379-000CN	1
11	Cover, Left Lower (Special Order)	RB1-6480-000CN	1
12	AC Access Cover	RB1-6489-000CN	1
13	Face-Up Bin (Special Order)	RB1-6490-000CN	1
14	Cover, Switch (Special Order)	RB1-6492-000CN	1
15	Spring, Compression (Special Order)	RB1-6493-000CN	1
16	Right, Lower Cover (Rear Plastic on Sheet Metal)	RB1-6498-000CN	1
17	Rear Cover	RF5-1402-000CN	1
18	Spring, Torsion (Special Order)	RB1-6509-000CN	1
19	Front Panel ( Control Panel Display)	RG5-2433-000CN	1
22	Cable Assembly	RG5-1924-000CN	1
25	Plate Guard	RB1-6522-000CN	1
30	Diverter Assembly	RG9-1150-000CN	1
CH101	Screw, TP, M3X6 (fixed shoulder)	XA9-0267-000CN	6
CH102	Screw, TP, M3X6 (floating flat and lock washer)	XA9-0547-000CN	13
CH107	Screw, tapping, pan head, M4X10	XB4-7401-009CN	6



**Figure 8-3** Printer Internal Components (1 of 4)

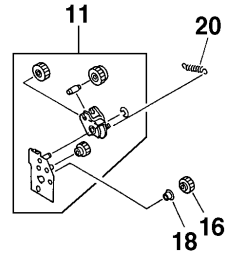
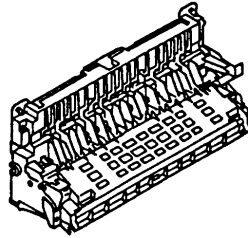
Table 8-3

## Printer Internal Components (1 of 4)

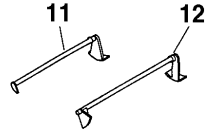
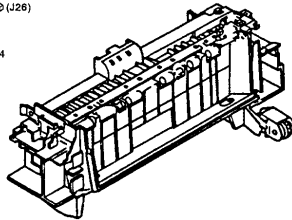
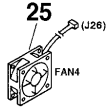
Ref	Description	Part Number	QTY
01	Transfer Guide Bushing	RB1-6441-000CN	2
02	Transfer Guide	RF5-1394-000CN	1
03	Transfer Roller	RF5-1412-000CN	1
05	Damper Holder (Front)	RB1-6461-000CN	1
06	Damper Holder (Rear)	RB1-6462-000CN	1
08	Clutch Cover	RB1-6468-000CN	1
10	Main Motor	RH7-1260-000CN	1
15	Main Motor Cable	RG5-1919-000CN	1
20	Face-Down Delivery Assembly	RG5-1874-000CN	1
21A	Fusing Assembly 100-120V	RG5-1863-200CN	1
21B	Fusing Assembly 220-240V	RG5-1871-190CN	1
21C	Fusing Assembly 100-120V, Exchange	C3166-69001	
21D	Fusing Assembly 220-240V, Exchange	C3166-69013	
22	Face -Up Solenoid Assembly	RG5-1875-000CN	1
23	Feeder Assembly	RG5-1834-000CN	1
24	Registration Assembly	RG5-1833-040CN	1
24A	Electromagnetic Clutch	RH7-5119-000CN	1
25	Tray 1 Pick-up Assembly	RG5-1880-100CN	1
26	Tray 1 Feed Roller	RB1-6730-000CN	1
27	Tray 1 Separation Pad	RF5-1455-000CN	1
28	Tray 1 Door	RG5-1883-000CN	1
29	Tray 1 Internal Cover (Shield)	RB1-6749-000CN	1
30	Paper Input Unit (PIU)	RG5-1852-160CN	1
30A	Paper Input Unit (PIU), Exchange	C3166-69011	
31	Main Gear Assembly	RG5-1847-000CN	1
40	Transfer Roller Assembly	RG5-1887-000CN	1
55	Tray 1 PCA	RG5-1884-000CN	1
CH101	Screw, TP, M3X6 (fixed shoulder)	XA9-0267-000CN	10
CH102	Screw, TP, M3X6 (floating flat and lock washer)	XA9-0547-000CN	8
CH103	Screw, M4X8	XB6-7400-807CN	4
CH105	Screw, w/washer, M3X20	XA9-0817-000CN	2
CH114	Screw, tapping, M4X8	XA9-0605-000CN	2
not shown	Heavy Media PIU (only compatible with C3124A)	C3124-60001	1
not shown	Registration, Heavy Media (only compatible with C3124A)	C3124-60002	1



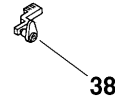
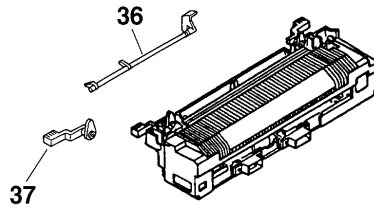
**A**



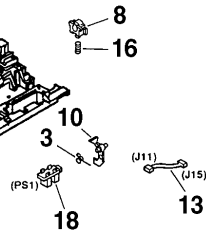
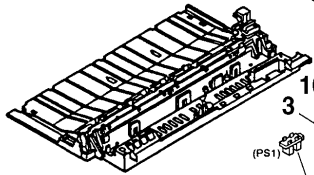
**B**



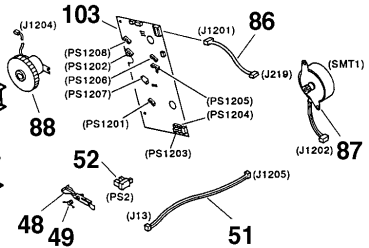
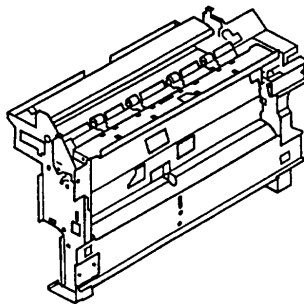
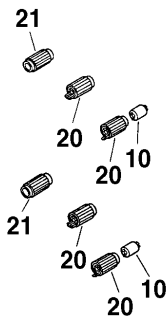
**C**



**D**



**E**



**Figure 8-4** Printer Internal Components (2 of 4)

Table 8-4

## Printer Internal Components (2 of 4)

Fig	Ref	Description	Part	Qty
8-04	A	Diverter Assembly	RG9-1150-000CN	
8-04A	11	Diverter Drive Assembly	RF5-1441-000CN	1
8-04A	16	20T Gear	RS5-0758-000CN	1
8-04A	18	Conductive Bushing	RS5-1101-000CN	1
8-04A	20	Tension Spring	RS5-2490-000CN	1
8-04B	11	Paper Sensing Lever	RB1-6692-000CN	1
8-04B	12	Paper Height Lever	RB1-6693-000CN	1
8-04B	25	Fan 4	RH7-1289-000CN	1
8-04	C	Fuser Assembly 110V, Exchange	C3166-69001	
8-04	C	Fusing Assembly 220-240V, Exchange	C3166-69013	
8-04C	36	Fuser Flag	RB1-6614-000CN	1
8-04C	37	Fuser Lock Lever Right	RB1-6615-000CN	1
8-04C	38	Fuser Lock Lever Left	RB1-6616-000CN	1
8-04	D	Feeder Assembly	RG5-1834-000CN	
8-04D	03	Sensor Arm Spring	RB1-6409-000CN	1
8-04D	07	Block, Shaft Holding, Front	RB1-6414-000CN	1
8-04D	08	Block, Shaft Holding, Rear	RB1-6415-000CN	1
8-04D	10	Sensor Arm PS1	RB1-6417-000CN	1
8-04D	13	Sensor Cable	RG5-1843-000CN	1
8-04D	14	Compression Spring, Front	RS5-2463-000CN	1
8-04D	16	Compression Spring, Rear	RS5-2466-000CN	1
8-04D	18	Photo Interrupter	WG8-0291-000CN	1
8-04	E	Paper Input Unit (PIU)	C3166-69011	
8-04E	10	Torque Limiter	RB1-6588-000CN	2
8-04E	103	PIU PCA	RG5-1860-000CN	1
8-04E	20	Feed / Separation Rollers	RF5-1426-000CN	4
8-04E	21	Pickup Roller	RF5-1427-000CN	2
8-04E	48	Sensor Arm PS2	RB1-6557-000CN	1
8-04E	49	Sensor Arm Spring	RB1-6558-000CN	1
8-04E	51	Sensor Cable	RG5-1859-000CN	1
8-04E	52	Photo Interrupter	WG8-0291-000CN	1
8-04E	86	Paper Pickup Cable	RG5-1861-000CN	1
8-04E	87	Pick-Up Motor	RH7-1262-000CN	1

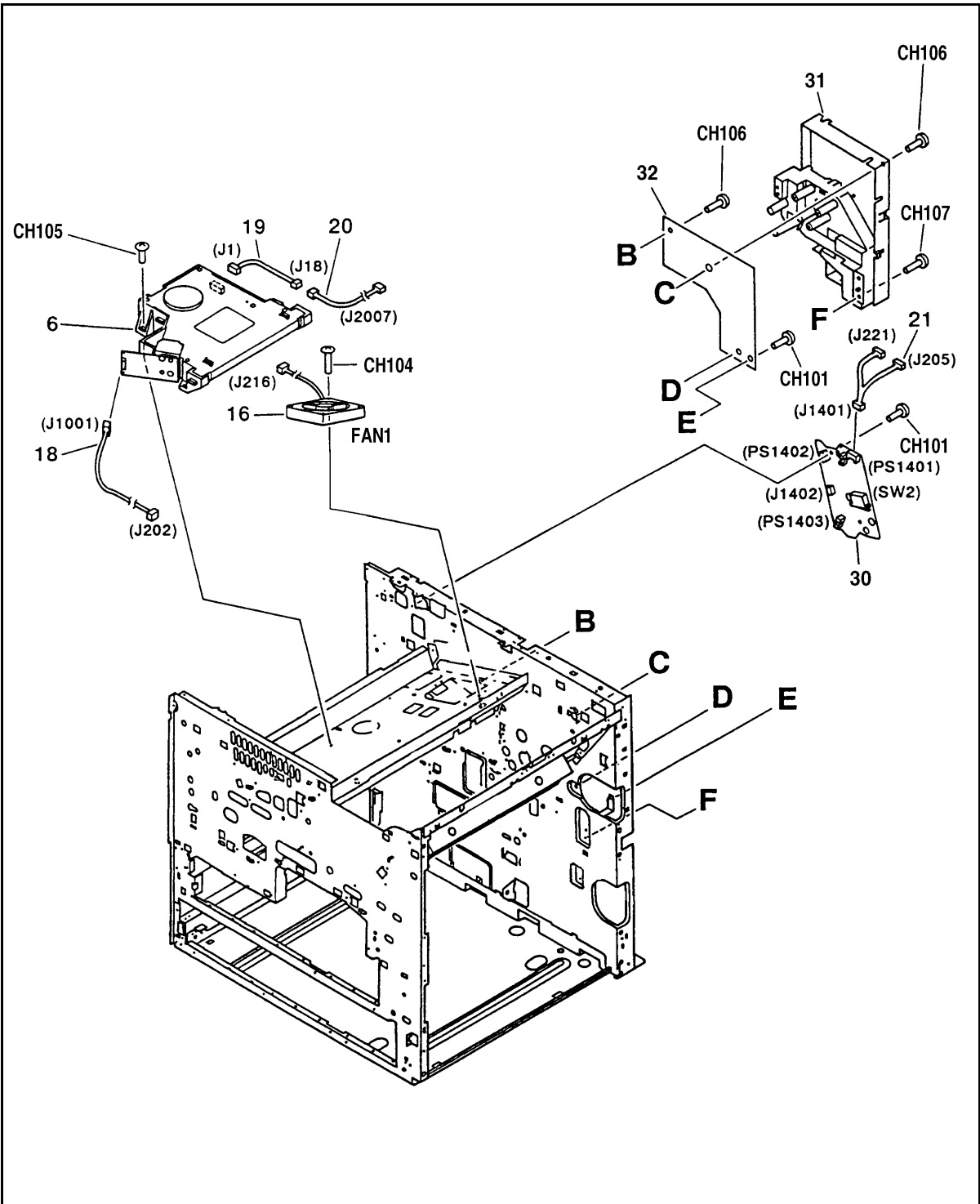


Figure 8-5 Printer Internal Components (3 of 4)

Table 8-5

## Printer Internal Components (3 of 4)

Ref	Description	Part Number	QTY
06	Laser / Scanner Assembly	RG5-1895-000CN	1
06A	Laser / Scanner Assembly, Exchange	C3166-69006	
16	Fan 1	RH7-1266-000CN	1
18	Cable Assembly	RG5-1924-000CN	1
19	Scanner Motor Cable	RG5-1925-000CN	1
20	BD Cable	RG5-1926-000CN	1
21	ILS Cable	RG5-1927- 000CN	1
30	Switch / Sensor PCA	RG5-1846-000CN	1
31	High Voltage Power Supply	RG5-1888-000CN	1
31A	High Voltage Power Supply, Exchange	C3166-69005	
32	DC Controller PCA	RG5-1844-050CN	1
32A	DC Controller PCA, Exchange	C3166-69010	
CH101	Screw, TP, M3X6 (fixed shoulder)	XA9-0267-000CN	8
CH104	Screw, CT, M3X3	XB5-7303-007CN	2
CH105	Screw, w/washer, M3X20	XA9-0817-000CN	4
CH106	Screw, tapping, truss head, M3X8	XB4-7300-809CN	3
CH107	Screw, tapping, pan head, M4X10	XB4-7401-009CN	3
*	Thermal Control PCA	C3125-60002	1
*	Thermal Control PCA Cable	C3125-00001	1

\* LaserJet 5Si HM (C3124A) only.

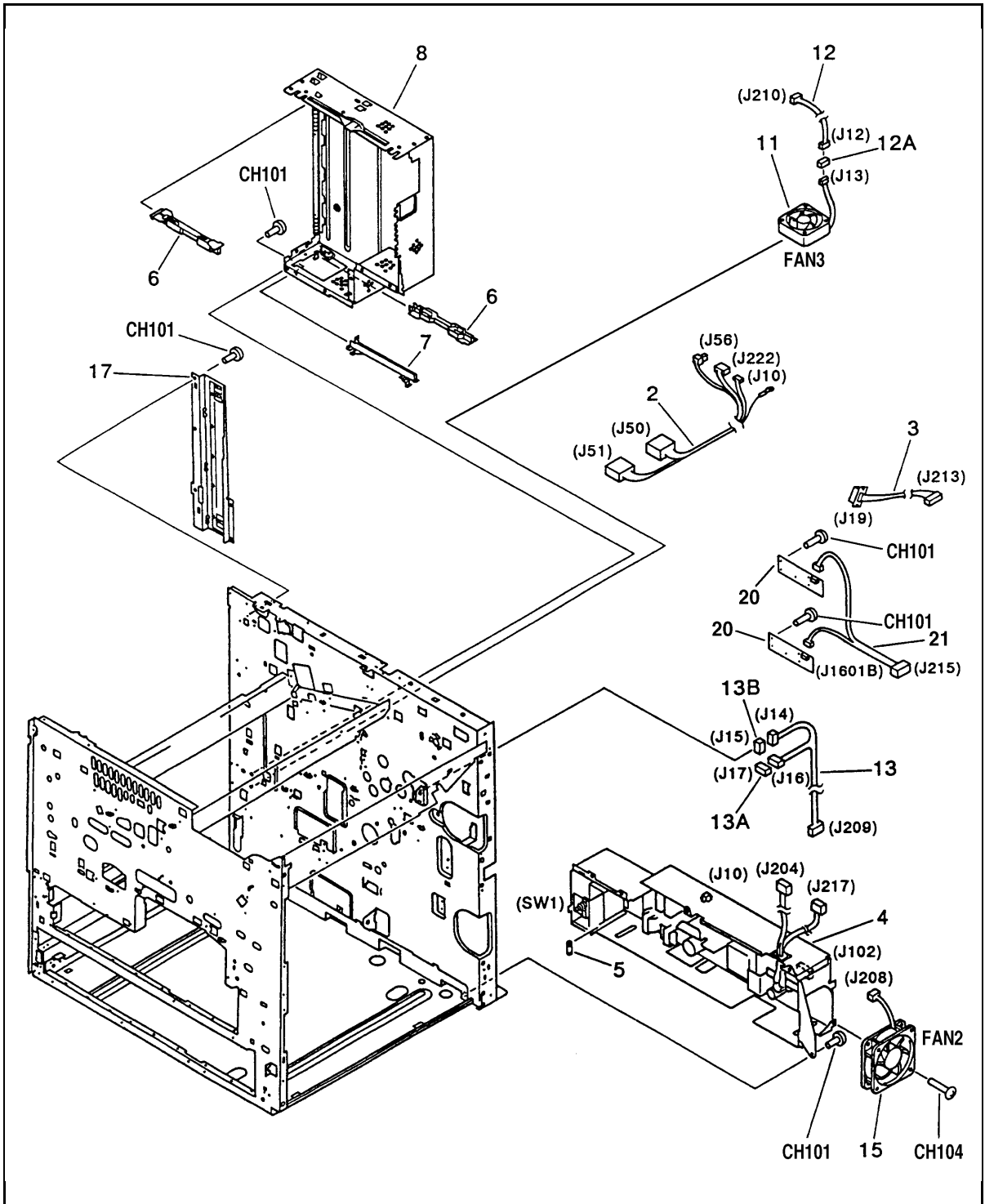


Figure 8-6 Printer Internal Components (4 of 4)

Table 8-6

## Printer Internal Components (4 of 4)

Ref	Description	Part Number	QTY
02	Fuser Cable 1	RG5-1849-000CN	1
03	Fuser Cable 2	RG5-1850-000CN	1
04A	Low Voltage Power Supply, 110-120V	RG5-1876-000CN	1
04B	Low Voltage Power Supply, Universal	RG5-1878-000CN	1
04C	Low Voltage Power Supply, 110-120V, Exchange	C3166-69007	1
04D	Low Voltage Power Supply, Universal, Exchange	C3166-69008	1
05	Fuse, LVPS, 110-120V	VD5-0056-301CN	1
05A	Fuse, LVPS, Universal	VD7-0646-301CN	1
06	Guide, PCA	RB1-6771-000CN	1
07	Guide, Slide	RB1-6775-000CN	1
08	Formatter Shield	RF5-1466-000CN	1
11	Fan 3	RH7-1271-000CN	1
12	Fan 3 Cable	RG5-1921-000CN	1
13	Registration Cable	RG5-1928-000CN	1
13A	Connector, 7P	VS1-5057-007CN	1
13B	Connector, 3P	RG5-1928-000CN	1
15	Fan 2	RH7-1266-000CN	1
17	Plate Shield	RF5-1464-000CN	1
20	Paper Size Sensing PCA, Trays 2 and 3	RG5-1845-000CN	2
21	Cassette Size Sensor Cable	RG5-1920-000CN	1
CH101	Screw, TP, M3X6 (fixed shoulder)	XA9-0267-000CN	16
CH104	Screw, CT, M3X3	XB5-7303-007CN	4

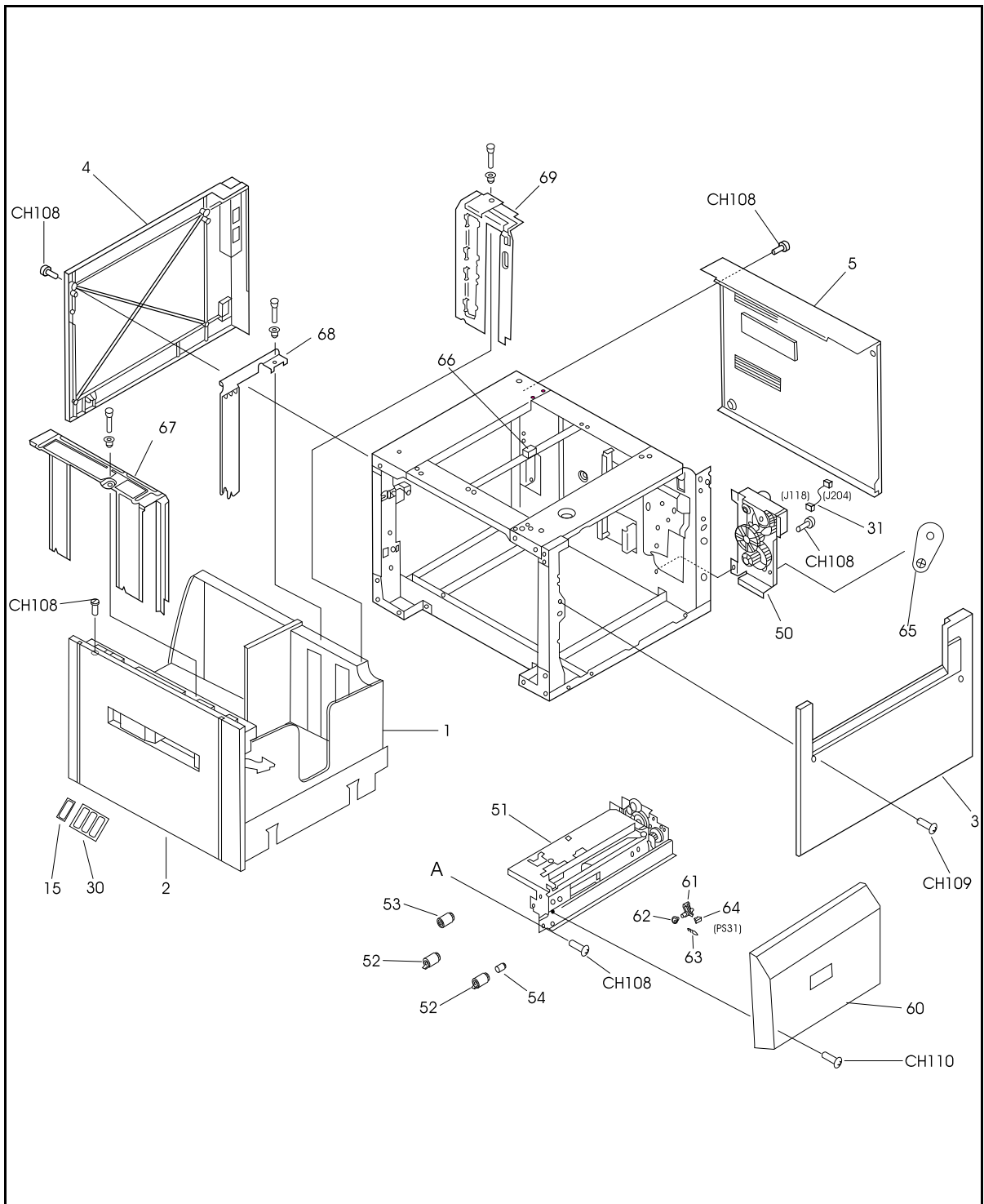


Figure 8-7 2000-Sheet Input Unit Internal Components

Table 8-7

## 2000-Sheet Input Unit Internal Components

Ref	Description	Part Number	QTY
01	2000-Sheet Input Tray Assembly	RG5-2155-000CN	1
02	Front Cover	RF5-1632-000CN	1
03	Right Cover	RB1-7832-000CN	1
04	Left Cover	RB1-7833-000CN	1
05	Back Cover	RB1-7834-000CN	1
15	Cassette Size Plate	RB1-6894-000CN	1
30	Cassette Size Labels	RS5-8611-000CN	1
31	Motor Cable	RG5-2233-000CN	1
50	Tray 4 Main Drive Assembly	RG5-2164-030CN	1
51	Paper Pick-Up Assembly	RG5-2170-000CN	1
52	Feed / Separation Rollers	RF5-1426-000CN	2
53	Pickup Roller	RF5-1427-000CN	1
54	Torque Limiter	RB1-6588-000CN	1
60	Vertical Transfer Assembly	RG5-2175-020CN	1
61	Paper Registration Sensor Flag	RB1-7813-000CN	1
62	Paper Reg- Bushing	RS5-1201-000CN	1
63	Spring	RS5-2556-000CN	1
64	Paper Reg. Sensor	WG8-5210-000CN	1
65	Bushing, Plastic	RS5-1207-020CN	1
66	Lifter Sensing Switch (SW31)	RG5-2546-000CN	1
67	Adjustable Size Plate: Back	RF5-1609-000CN	1
68	Adjustable Size Plate: Middle	RB1-7726-000CN	1
69	Adjustable Size Plate: Front	RF5-1623-000CN	1
CH108	Screw, TP, M4X6	XB6-7400-606CN	67
CH109	Screw, TP, M4X6	XB6-7400-607CN	2
CH110	Screw, TP, M3X6	XB6-7300-607CN	2



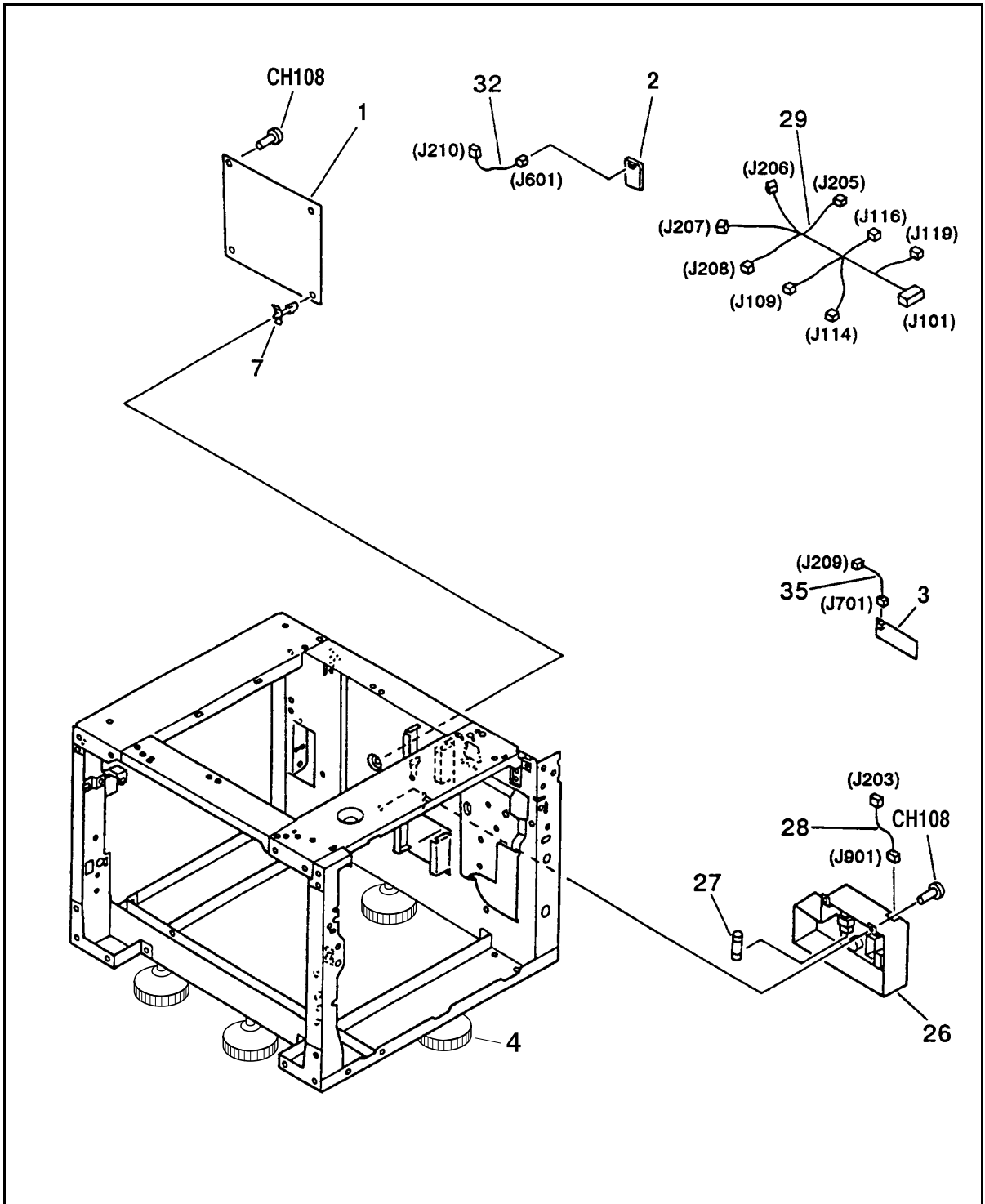
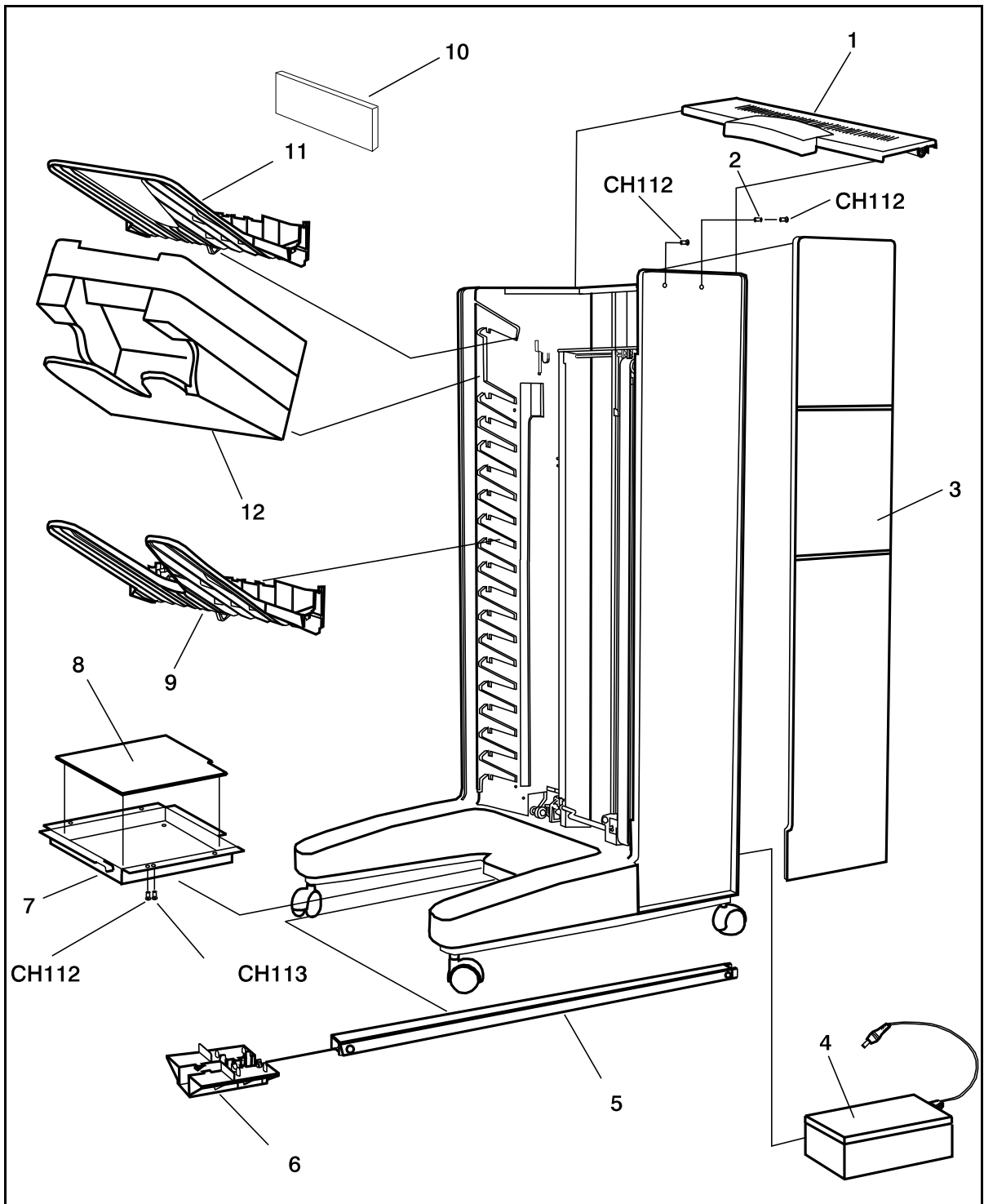


Figure 8-8 2000-Sheet Input Unit Internal Components

**Table 8-8****2000-Sheet Input Unit Internal Components**

<b>Ref</b>	<b>Description</b>	<b>Part Number</b>	<b>QTY</b>
01	Paper Deck PCA	RG5-4198-000CN	1
02	Paper Sensor PCA	RG5-2225-000CN	1
03	Paper Size PCA	RG5-2226-000CN	1
04	Adjustable Tip Feet	RBI-7684-000CN	4
26	DC Power Supply Assembly	RG5-2281-000CN	1
27	Power Supply Fuse	VD7-0643-151CN	1
28	PSU Cable	RG5-2227-000CN	
29	Main Cable	RG5-2228-000CN	1
32	Volume Paper Cable	RG5-2236-000CN	1
33	Paper Size Cable	RG5-2235-000CN	1
CH108	Screw, TP, M4X6	XB6-7400-606CN	67
CH109	Screw, TP, M4X6	XB6-7400-607CN	2
CH110	Screw, TP, M3X6	XB6-7300-607CN	2



**Figure 8-9** Multi-Bin Mailbox/Mailbox with Stapler Components (1 of 3)

Table 8-9

## Multi-Bin Mailbox/Mailbox with Stapler Components (1 of 3)

Ref	Description	Part Number	QTY
01	Top Cover	C3764-60555	1
02	Spacer, plastic	C3764-60524	1
03	Right Cover	C3764-60553	1
04	Power Supply Assembly	0950-2927	1
05	Attachment Beam Assembly	C3764-67906	1
06	Attachment Bracket	C3764-60560	1
07	Metallic Box	C3764-60523	1
08	Multi-bin Mailbox Controller PCA	C3766-60535	1
09	Bin Assembly (8-pak)	C3766-60536	1
09A	Individual Bin	C3766-60537	8
10	Blind Cover (only with 8 bin MBM)	C3764-60550	1
11	Face Up Bin	C3764-60505	1
12	Stapling Unit	C3766-60500	1
12	Stapling Unit Exchange	C3766-69500	1
CH112	Screw, Torx, T20, M4X10	C3764-60519	3
CH113	Screw, Torx, T20, tapping, M4X10	C3764-60525	4
not shown	Packaging Kit	C3764-60500	1
not shown	Exchange Mailbox: 5 bin for Stapler	C3766-69515	1
not shown	Exchange Mailbox: 8 bin for Stapler	C3764-69100	1

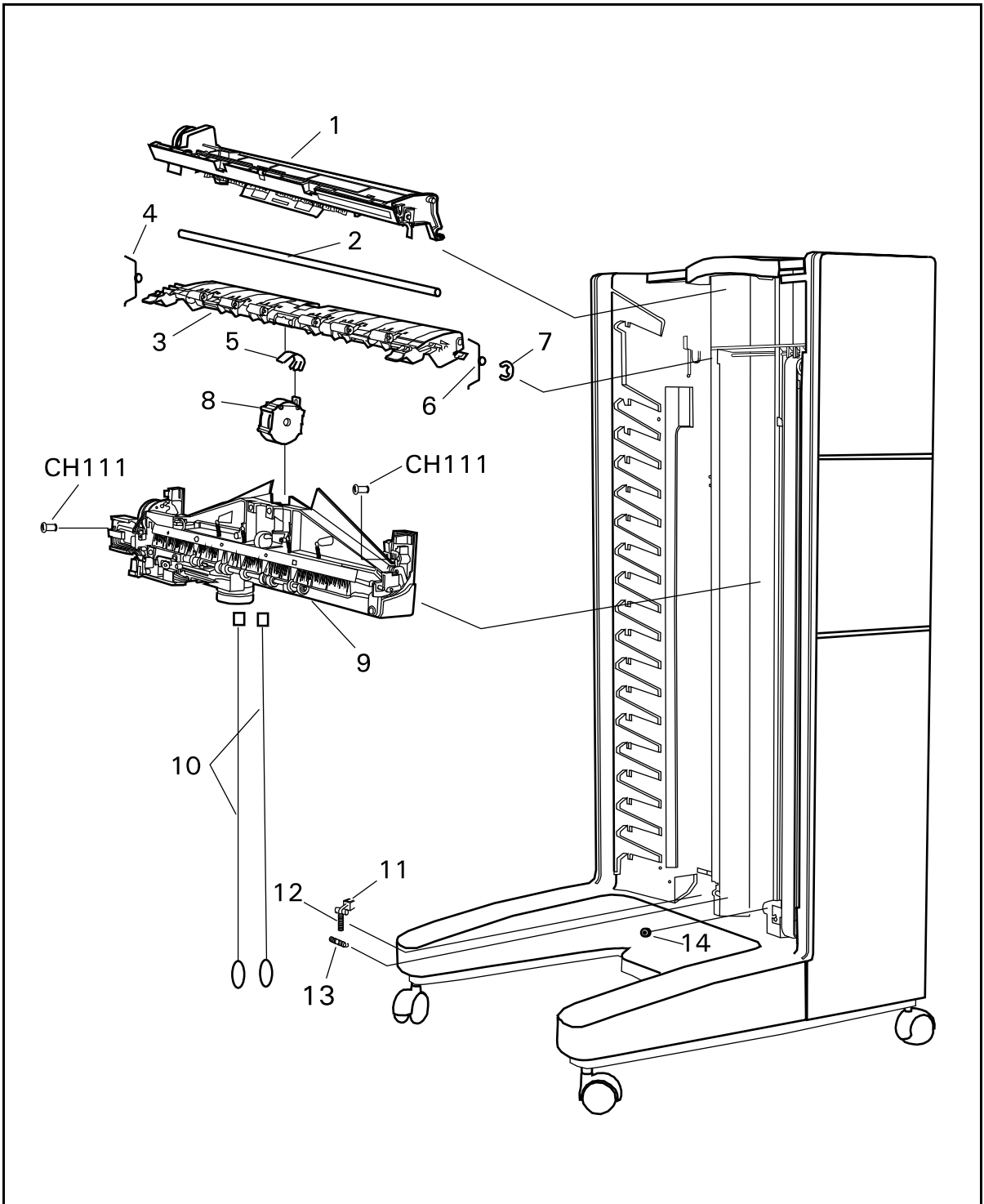


Figure 8-10 Multi-Bin Mailbox/Mailbox with Stapler Components (2 of 3)

Table 8-10

## Multi-Bin Mailbox/Mailbox with Stapler Components (2 of 3)

Ref	Description	Part Number	QTY
01	Flipper Assembly (no cable)	C3764-60501	1
02	Mounting Shaft (Hex)	C3764-60516	1
03	Jam Access Door Assembly	C3764-60514	1
04	Spring, left, jam access door	C3764-60522	1
05	Metal Tape Holder	C3764-60515	1
06	Spring, right, jam access door	C3764-60518	1
07	Mounting Shaft "e" Clip	C3764-60517	2
08	Metallic Tape and Housing Assy.	C3764-60521	1
09	Delivery Head Assembly for Multi-Bin Mailbox Delivery Head Assembly for Mailbox with Stapler	C3764-60502 C3766-60514	1
10	Anti-Curl String	C3764-60562	2
11	Lower Pulley Assembly	C3764-60530	2
12	Lower Pulley Spring	C3764-60531	2
13	Anti-Curl String Spring	C3764-60563	2
14	Pulley, small	C3764-60564	2
CH111	Screw, Torx, T20, M4X12	C3764-60520	2
not shown	Metallic Tape/Housing Kit includes: Metal Tape Holder, C3764-60515; Metallic Tape & Housing Assy, C3764-60521	C3764-67900	
not shown	Hardware Kit includes: Mounting Shaft 'e' Clip 5, C3764-60517; L Spring Right, C3764-60518; L Spring Left, C3764-60522; Mount Screw Machined T20 M4X10, C3764-60519; Plastic Spacer, C3764-60524; Mount Screw Machined T20 M4X12, C3764-60520; Gasket Cable Clamps, C3764-60565; Lower Pulley Assembly, C3764-60530; Lower Pulley Spring, C3764-60531; PCA Mounting Screw, C3764-60525	C3764-67901	
not shown	Paper Guide Kit includes: Paper Guide String, C3764-60562; Paper Guide Spring, C3764-60563; Pulley (small), C3764-60564	C3764-67902	
not shown	Flat Cable Kit Includes: Flat Cable, C3764-60545; Cable Holder (flat), C3764-60513; Cable Holder (edge), C3764-60566	C3764-67903	
not shown	Stepper Motor/Encoder Kit includes: Transport Stepper Motor Assy, C3764-60532; Encoder Assy, C3764-60533; Encoder Cable, C3764-60549	C3764-67904	
not shown	Interlock Switch Kit includes: Interlock Switch, C3764-60556; Interlock Switch Cable, C3764-60548	C3764-67905	
not shown	Attachment Beam Kit includes: Attachment Beam Assy, C3764-60558; Attachment Clips, C3764-60559; Attachment Bracket, C3764-60560	C3764-67906	

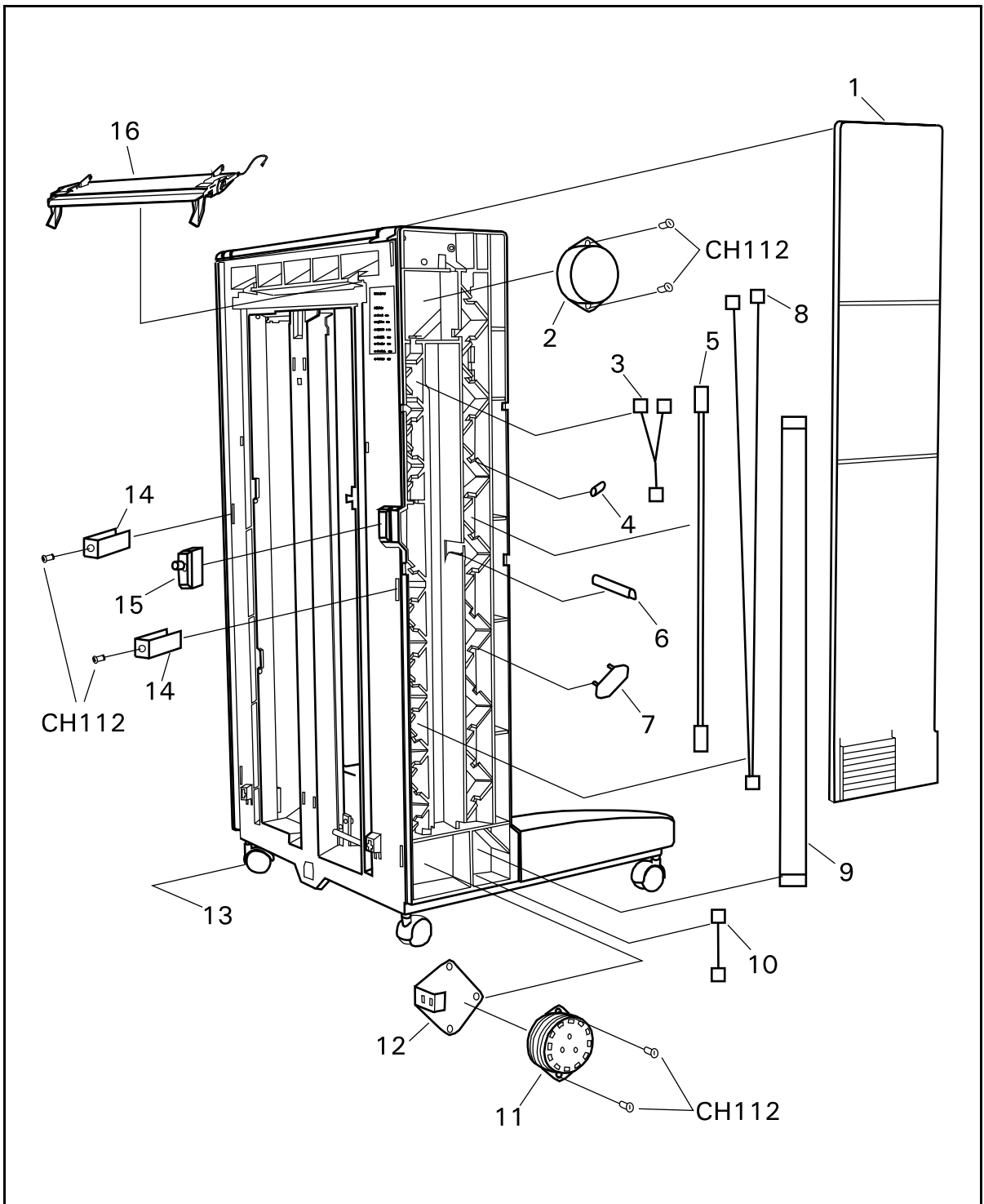


Figure 8-11 Multi-Bin Mailbox/Mailbox with Stapler Components (3 of 3)

**Table 8-11****Multi-Bin Mailbox/Mailbox with Stapler Components (3 of 3)**

<b>Ref</b>	<b>Description</b>	<b>Part Number</b>	<b>QTY</b>
01	Left Cover	C3764-60554	1
02	Delivery Head Position Motor	C3764-60507	1
03	Cable, Delivery Head Position Motor to Controller PCA	C3764-60547	1
04	Cable Holder, Round Gasket	C3764-60565	10
05	Cable, Interlock Switch to Controller PCA	C3764-60548	1
06	Cable Holder, Edge	C3764-60566	1
07	Cable Holder, Flat	C3764-60513	2
08	Cable, Flipper Assembly to Controller PCA	C3764-60546	1
09	Cable, Flat, Delivery Head to Controller PCA	C3764-60545	1
10	Cable, Encoder to Controller PCA	C3764-60549	1
11	Transport Belt Motor (in kit)	C3764-67904	1
12	Encoder Assembly	C3764-60533	1
13	Casters	C3764-60551	4
14	Attachment Clips (in kit)	C3764-67906	2
15	Interlock Switch	C3764-60556	1
16	Input Paper Guide	C3764-60561	1
CH112	Screw, Torx, T20, M4X10	C3764-60519	6



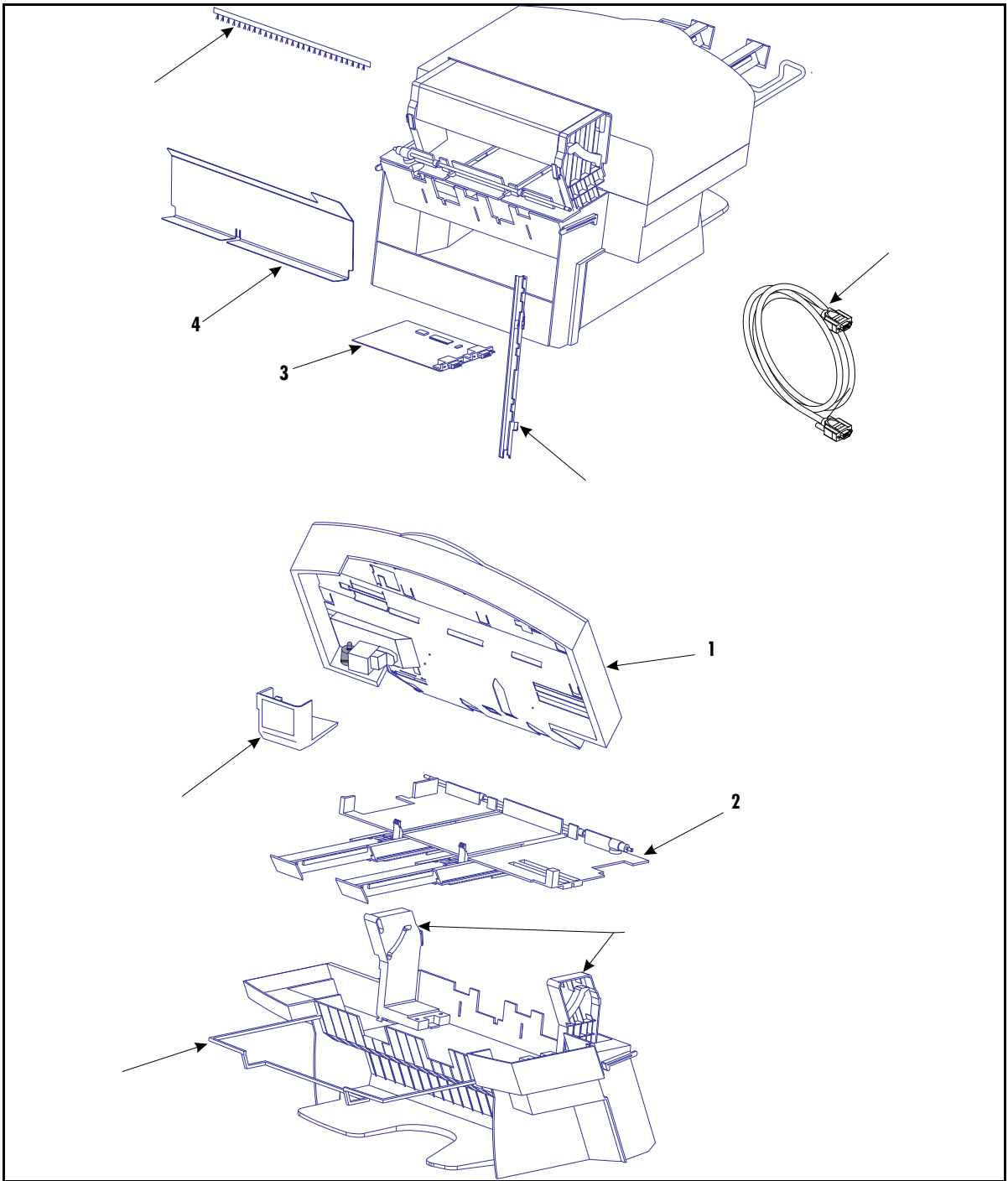


Figure 8-12 Stapling Unit Internal Components

Table 8-12

## Stapling Unit Internal Components

Ref	Description	Part Number	Qty
	Stapling Unit Assembly	C3766-60500	1
	Exchange Stapling Unit	C3766-69500	1
1	Top Cover Assembly	C3766-60501	1
2	Stapling Bed Assembly	C3766-60503	1
3	Stapling Unit Control PCA	C3766-60504	1
4	Back Plate	C3766-60505	1
5	Hinges, Set of	C3766-60506	1
6	Wire Frame	C3766-60507	1
7	Brushes	C3766-60508	1
not shown	Stapling Unit Packaging	C3766-60509	1
8	Kit: Plastic staple cover; scan bar (shown) bin full sensor, acutator, and flag (not shown)	C3766-60510	
not shown	Kit: T10 Torx screws (10)	C3766-60511	
9	C-Link Cable (97 cm)	C3766-60512	1